



Premier Guard Wi-Fi



WG Global

Zero False Alarm* 58 KHz Acoustomagnetic EAS

*our patented system algorithm avoid false alarms from when walking through the gate.



Premier Guard Wi-Fi

Aesthetic,
clear and modern

Precious, lean and elegant - the slender false-alarm free article surveillance in high transparent acrylic.

Premier Guard is using the latest technology despite its small dimensions (only 38 cm wide) it is enormous powerful: passage widths up to 320 cm with WG Pencil Super hard tags are fantastic. In order to fit with its modern minimalist design perfectly with the interior of the shop Premier Guard is available in stylish silver gray, elegant black or even custom made in special colors. Standard is a smooth plastic base. Optionally, the base cover is also available in noble stainless steel.

Consequent tagging with 4-Alarm or traditional WG security tags is important to deter shoplifters right at the product.

The functions of the new WG-goods system platform, such as jammer detection or the assistant-function to solve operator errors are standard on board.



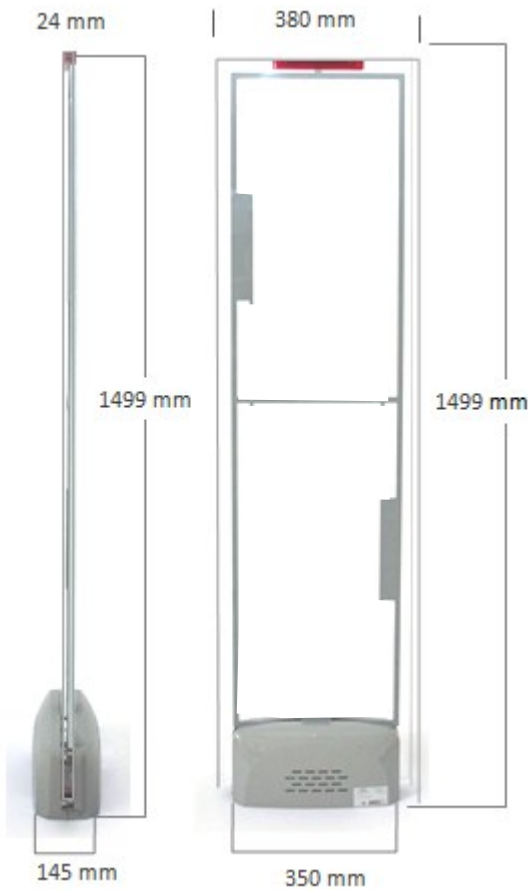
WG Global GmbH

Sägewerkstraße 3
D- 83416 Surheim

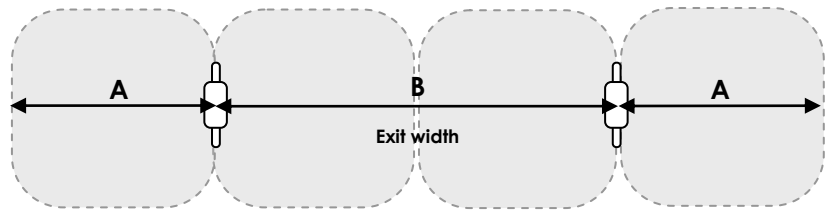
Email: info@wgglobal.eu
D: Tel. +49 8654 7715-0 **Fax:** -29
A: Tel. +43 810 900 313-0 **Fax:** -29

www.wgglobal.de

Premier Guard Wi-Fi - Specifications:



Specifications:
 Working frequency range: 58 kHz
 Power supply: 230 V / AC - 24 V / AC
 Power consumption: 35 W
 Ambient temperature: 0 ° - 30 ° C
 Weight: 32 kg



Alarmzone in cm			
Tag Type	A	B	A
LabelsType MUS-DR	100	200	100
Hardtag Super Tag	100	200	100
Micro Shell, Micro Pencil, Lanyard Tag	100	200	100
Shell, Mid Pencil	140	280	140
Super Pencil	160	320	160

Remark:
 For physically reasons a reduced detection performance can happen in the middle between transceiver antennas.
 We recommend the use of powerful WG Tags built to work perfect with this system. Underperforming labels will reach lower detection levels. And lower detection height.

To avoid alarms by labels in the close proximity of the antennas, a safety zone with no tags (about 40-45% of the exit width) should be kept on all sides.
 AM EAS systems are radio transmission systems on the approved working frequency of 58 KHz. Devices being unsuppressed or not corresponding to recent standards (EN 300330 / EN 301489-3) can cause interference and negatively affect system performance. Changes in the environment and surrounding may require a retuning of any EAS System.

Product Codes:

Components

- WG WFG
- WG-WFG-B
- WG WFG-W
- WG SPS
- SS-PG2TR-BC-ST-ST

- Premier Guard Wi-Fi antenna color inlay and walk in Silver Grey
- Premier Guard Wi-Fi antenna color inlay and walk in Black
- Premier Guard Wi-Fi antenna color inlay and walk in White
- Smart Antenna Power Supply PSU
- Stainless Steel foot cover f. 1 antenna

Configured Sets:

- K WFG-1 1 antenna system (For Black or White, please add color Code -B or -W)
- K WFG-2 2 antenna system
- K WFG-3 3-antenna system
- K WFG-4 4 antenna system



Premier Pro Guard Wi-Fi



WG Global

Zero False Alarm* 58 KHz Acoustomagnetic EAS

*our patented system algorithm avoid false alarms from when walking through the gate.



Premier Pro Guard Wi-Fi

Extremely strong
and timeless elegance

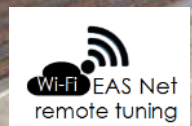
Precious, lean and elegant - the strongest false-alarm free EAS-System in high transparent acrylic.

The large variation of Premier Guard achieves up to 380 cm passage width. The highly transparent antenna is not only extremely powerful, it also impresses by the clean lines. Thanks to modern technology, the Premier Guard EAS antennas are not only safe but also offers low power consumption and innovative signal processing system ensures absolute freedom from false alarms*.

Premier Pro Guard is available in stylish silver gray, elegant black or custom made in special colors. Standard plastic base or as an option a base cover in noble stainless steel.

The functions of the new WG-goods system platform, such as jammer detection or the assistant-function to solve operator errors are standard on board.

Consequent tagging with 4-Alarm or traditional WG security tags is important to deter shoplifters right at the product.



WG Global GmbH

Sägewerkstraße 3
D- 83416 Surheim

Email: info@wgglobal.eu

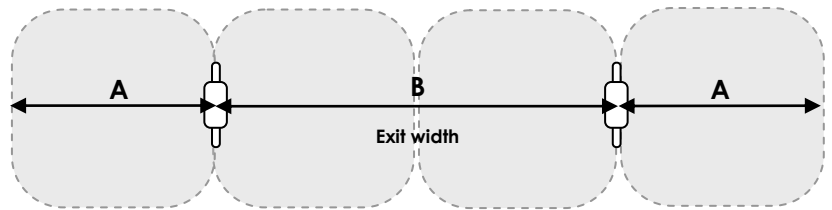
D: Tel. +49 8654 7715-0 Fax: -29

A: Tel. +43 810 900 313-0 Fax: -29

www.wgglobal.de

Premier Guard Wi-Fi - Specifications:

Specifications:
 Working frequency range: 58 kHz
 Power supply: 230 V / AC - 24 V / AC
 Power consumption: 39 W
 Ambient temperature: 0 ° - 30 ° C
 Weight: 37 kg



Alarmzone in cm			
Tag Type	A	B	A
Label Type MUS-DR	120	240	120
Hardtag Super Tag	120	240	120
Micro Shell, Micro Pencil, Lanyard Tag	120	240	120
Shell, Mid Pencil	160	320	160
Super Pencil	190	380	190

Remark:

For physically reasons a reduced detection performance can happen in the middle between transceiver antennas.

We recommend the use of powerful WG Tags built to work perfect with this system. Underperforming labels will reach lower detection levels. And lower detection height.

To avoid alarms by labels in the close proximity of the antennas, a safety zone with no tags (about 40-45% of the exit width) should be kept on all sides.

AM EAS systems are radio transmission systems on the approved working frequency of 58 KHz. Devices being unsuppressed or not corresponding to recent standards (EN 300330 / EN 301489-3) can cause interference and negatively affect system performance. Changes in the environment and surrounding may require a retuning of any EAS System.

Product Codes:

Components

- WG WFPP
- WG-WFPP- B
- WG WFPP-W
- WG SPS
- SS-PG2TR-BC-ST-ST

- Premier Pro Guard Wi-Fi antenna color inlay and walk in Silver Grey
- Premier Pro Guard Wi-Fi antenna color inlay and walk in Black
- Premier Pro Guard Wi-Fi antenna color inlay and walk in White
- Smart Antenna Power Supply PSU
- Stainless Steel foot cover f. 1 antenna

Configured Sets:

- K WFPG-1 1 antenna system (For Black or White, please add color Code -B or -W)
- K WFPG-2 2 antenna system
- K WFPG-3 3-antenna system
- K WFPG-4 4 antenna system

Stainless steel base cover for Premier Guard / Guard Pro Premier



Impressive noble look for the acrylic EAS-systems Premier and Premier Pro Guard Guard.

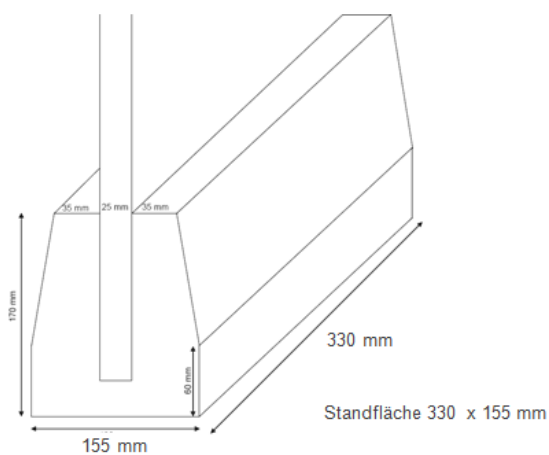
Optionally available base cover crafted in polished stainless steel. Extremely robust and high quality. It fits for both antenna sizes.



Optional steel base



Standard version in silver and black



Produkt Codes:
SS-PG2TR-B-C-ST-ST steel base f. 1 Antenna

Premier Guard / Premier Pro Guard Wi-Fi - Anwendungsbereiche:

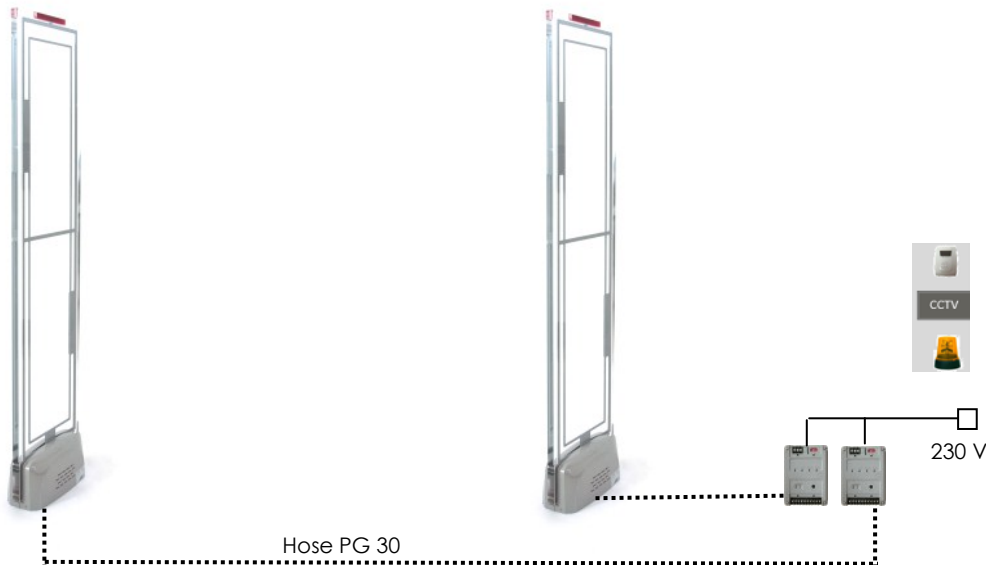


Premier Guard antennas come to use in every retail-segment. The modern clean design and highly transparent acrylic provide a premium look. The optional stainless steel base makes it even more noble and additionally protects the boards inside.

The standard color is silver, gray or black. Pure white or special colors can be produced for orders of min. 100 antennas.



Installation description
for WG Premier Guard und Premier Pro Guard:



Preparations:

230 V, on common phase with all Plastic PG30 hose between power supply and system controller.

dry contacts for connection to external alarms and CCTV systems at the SPS power supply

The antennas are mounted by means of drilled and cemented into the ground stud. Underfloor heating or water pipes in areas of installation are important to announce. For floor heating optional special steel floor adhesive plates can be supplied, on which the antennas can be screwed, without having to perform drilling.

The alarm is audible and visual directly on the antenna or at an optional remote alarm unit.

Each antenna is fed by 24 V voltage through a system cable from the SPS-Smart-Power-Supply. Cables are usually run through PG-30 plastic protection pipes in the ground or cable tunnels. Since the antennas are operated with 24 V low voltage only, the cables may even be placed directly into a grid in the floor and covered by silicone.

Connection to the WG EAS-remote tuning service is easily made by Wi-Fi. The system controller is ready prepared.

The Smart Power Supply (SPS) is not only a power supply, it offers some very useful troubleshooting functions and therefore should be accessible for staff i.e. in the counter, the manager's room or possibly incorporated in an IT- or CCTV-19" Rack. It is connected via the enclosed 8 m long six-pin cable or for distances up to 60 m a through a cable with larger diameter (i.e. WG EAS System cable Type 2 with i.e. 7x1,5mm).

SPS has connection joints for dry contacts to trigger a CCTV-system in case of EAS-alarm or jammer-alarm. Also the alarm volume can be adjusted remotely from the SPS. The exclusive TX-switch is a great support for the store people if they search for labels in the security zone. SPS can be clicked on a standard DIN-rail (Din 46277-3) holder system.

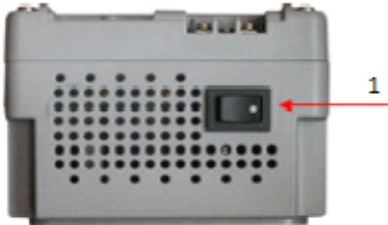
Preparations:

230V (min. 3x2.5 mm²) on dedicated circuit, at the same phase (L1 recommended) with the accessories. Fuse minimum 16 A. Current consumption max. 50 W per system, and 10/120 W (continuous / peak-pulse) per deactivator. Power sockets shall be un-twistable to avoid phasing issues.

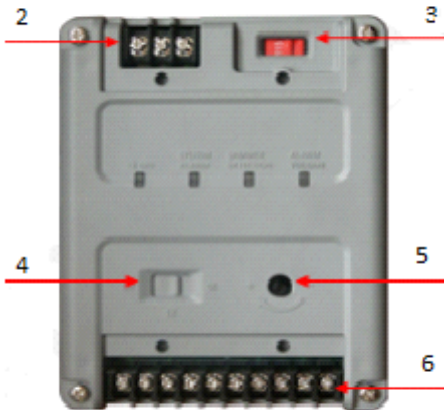
PG 30 Plastic conduits (recommended. 30 or 32mm)with inserted pull wire, btw. antenna and power supply as indicated in the project outline.

Smart Power Supply (SPS) - Specifications.

SPS Front View



SPS Top View



SPS Rear View



The universal power supply for the new WG Retail security systems:

Each system master or extender antenna requires a SPS. We recommend to have the SPS accessible for the store staff to disable and reboot (1) the system in case of a malfunction.

The 230 V (16 A slow blow fuse) connection is made via terminal box (2) by a regular min. 3x2.5 mm² cable. Dedicated circuit (separate fuse), and common phase (L1) with all acoustomagnetic accessories is recommended. Power consumption max 50 W per system, per deactivator 10/120 W (continuous or pulse).

If a system gives spontaneous alarms the TX switch (4) helps to verify if maybe is a system tuning or synchronization issue or a user error (tags too close) is the reason.

The alarm volume (5) can be varied. Dry contacts for connection to external alarm consoles or CCTV-Systems systems are applied to the output terminal block (6).

Plastic conduits with pull wire (PG 30 recommended.) between SPS and antenna shall be prepared as specified in the respective project outline and drawings.

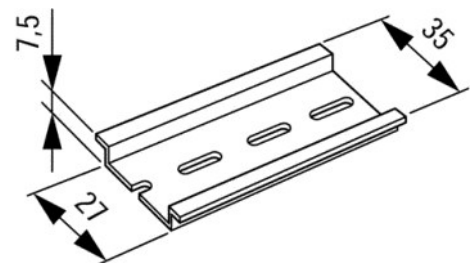
Dimensions:

SPS-Power supply: 110 x 138 x 80 mm 1,8 kg

Product Codes:

WG SPS

Smart Power Supply



SPS can be clicked on a standard DIN 46277-3 rail holder system.

We recommend to install SPS in a dedicated box, locked but easy accessible in service needs.

EAS-Net Remote Tuning & Diagnostic



Our acousto-magnetic EAS systems are extremely robust and built to operate in the modern retail infrastructure.

The antennas and controllers are designed to be maintenance free as a preventive maintenance is not practical.

Reasons for service calls are, changes in the surrounding or synchronization issues. The most common actually is that someone has placed a tag very close to a system, which creates a permanent alarm.

But even the best technology can fail once or when conditions have changed the system requires a proper tuning again.

WG's new Remote Tuning & Diagnostic software functionality comes with all new Wi-Fi EAS-systems.

The systems can connect to a protected cloud-based service structure. Since no customer has placed LAN sockets at the antenna position in the entrance our systems use advanced Wi-Fi technology to connect to the EAS-Net Cloud.

Using the retailers WLAN network there is no investment in additional costly infrastructure necessary.

The status of the connected systems can be seen and analyzed.

In case of malfunction, the system can be retuned or synchronized remotely. Or it can be determined whether a continuous alarm comes from tags or labels in the immediate vicinity of the antenna.

Travel costs are avoided and the response time for troubleshooting becomes shorter.

Thus the system availability rises even higher.



[See the Remote tuning video](#)

http://www.wgglobal.eu/Remote_tuning.html

Why acoustomagnetic technology?



AM EAS-systems are proven to have the highest detection rate in the industry. Even on products where RF and RFID technology fail because of given physical conditions, AM still performs best.

If labels are posted on aluminum foil or cans or when packaging is made of glossy cartons containing a thin layer of metal to achieve the great optical effect, the RF signal is shielded. Even in metal shopping carts or conductive materials such as Spirits and perfumes, AM detects better than all other EAS-technologies. It is reliable.

Possibly the most important fact for users and customers is that WG systems operate false-alarm free - because our special system algorithm eliminates false alarms from objects carried through the system. When a customer is in the gate and the system alarms, you can bet: Maybe you forgot to remove the tag or the customer "forgot" to pay. Anyway you will find a tag.

Our new Wi-Fi and BTL systems have reduced power consumption, offer jammer detection, wider exit widths, help users to identify alarms from tags being too close to the system and are compatible with RFID systems.

Smallest tags, reliable deactivation, and thanks to 4-alarm "Extreme Security" the maximum security level against professional shoplifters.

All this provides for the sustainable reduction of your shrinkage and an ongoing staff motivation.

All this counts.



About WG Global:



Each market segment, and each region has its specific problem areas and therefore require specific products.

We are constantly learning from practice and apply this know-how incorporated directly in the development of new solutions. This is part of our corporate philosophy and works best in an owner-managed company with direct access to resources - such as WG.

Creating first class solutions and functionality at an attractive price is our goal. Customer service includes product availability. In in our two warehouse buildings in Surheim we have sufficient storage capacity for 1200 pallets.

Many renowned retailers in Germany and Austria are already working with WG-Global's direct operations. To accompany their expansion WG has internationally experienced project managers.

WG Products are also available through our Sales and Service partners in over 60 countries creating our Global Service Partner Network.

WG as a medium-sized owner-managed company usually responds far more flexibly to our customers' requirements than others can. Our style is rather hands on than playing Power point.

Check it out and call WG or our local partner.



Disclaimer

Particular care has been taken in the preparation of this catalogue. However, WG Global GmbH assumes no responsibility for errors or omissions. Nor is any liability assumed for damages resulting from the use of information contained herein. Furthermore, WG Global GmbH reserves the right to change any descriptions and specifications without notice.

Copyright Notice

All content on this catalog, including but not limited to design, text, software, technical drawings, configurations, graphics, and other files are the property of WG Security Products Inc. or WG Global GmbH. All rights reserved. The Content may not be modified, copied or distributed, without WG's prior written approval.

Approvals provided may be terminated at any time.

Impressum:

Publisher: WG Global GmbH, Sägewerkstraße 3, 83416 Surheim, Germany
Editing & Content: Anton Kaltenleitner
Photos & Graphics: WG Global GmbH
Layout: WG Global GmbH

All rights reserved, all indications without engagement, subject to modifications. Misprints, typing- and printing errors reserved.

Headquarter: Surheim Sägewerkstraße 3, D-83416 Surheim

Bank details:	Germany:	Sparkasse Berchtesgadener Land	BLZ: 710500 00	Acc Nr. 389 304
		Commerzbank AG,	BLZ: 70080000	Acc Nr. 0230 500 800
	Austria :	Raiffeisenbank Mondsee/land	BLZ: 34322	Acc Nr. 311 266