



BTL Ad Guard Extender



WG Global

Zero False Alarm* 58 KHz Acoustomagnetic EAS

*our patented system algorithm avoid false alarms from when walking through the gate.

BTL Ad Guard / BTL Ad Guard XL mit Extender

**EAS-System +
Advertising space +
a tremendous price.**

BTL AD Guard + Extender and BTL Ad Guard XL + Extender are so called slave transceiver antennas that are managed by the board in the master antenna.

Passage widths between 140-240 cm, depending on tag type and system size allow a tremendously cost-effective protection of smaller passages.

If there is very limited space the configuration can be changed to a Transceiver / Transmitter or a Receiver / Transmitter configuration to reduce the backfield.

The system software can be optimized to your selection of resonator or ferrite based hard tags or labels.

The functions of the new WG-goods system platform, such as jammer detection or the assistant-function to solve operator errors are standard on board.

Consequent tagging with 4-Alarm or traditional WG security tags is important to deter shoplifters right at the product.



WG Global GmbH

Sägewerkstraße 3
D- 83416 Surheim

Email: info@wgglobal.eu

D: Tel. +49 8654 7715-0 Fax: -29

A: Tel. +43 810 900 313-0 Fax: -29

www.wgglobal.de

Ad Guard / Ad Guard with Extender - applications:



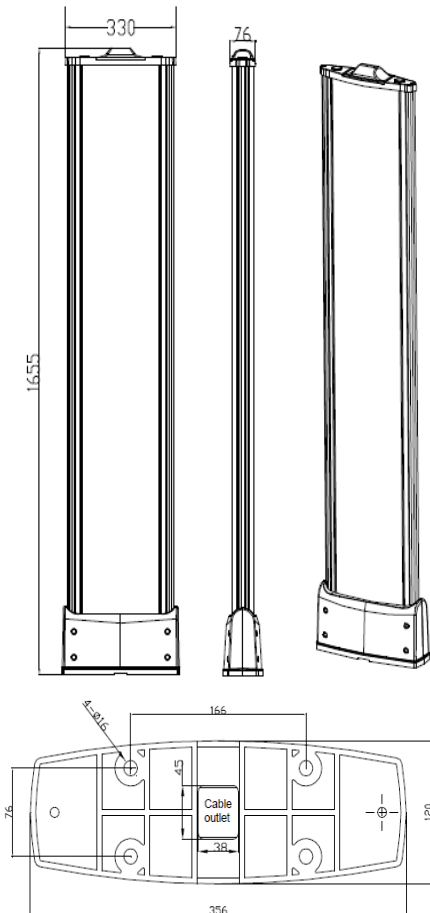
Ad Guard antennas are common in every retail segment. Whether the advertising space transports a permanent advertising claim or changing promotions. It is your choice.

With installing the system, WG Global provide and mount your first advertising poster. Professionally printed on durable PP material from your PDF file format 147 x 28 cm for Ad Guard) or 147 x 42.5 cm for Ad Guard XL.

Some design examples:

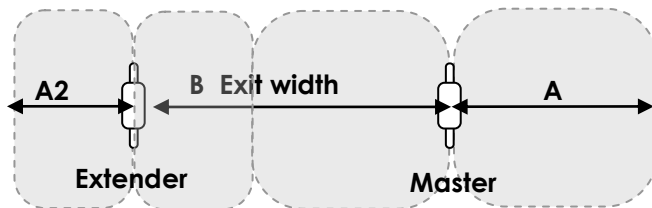


BTL Ad Guard & Extender - Specifications:



Specifications:

Working frequency range: 58 kHz
 Power supply: 230 V / AC - 24 V / AC
 Power consumption: 35 W
 Ambient temperature: 0 ° - 30 ° C
 Weight: Master 22 kg , Extender 20 kg
 Antenna dimensions: 1655x330x76 mm
 Dimensions of base: 356x120 mm
 Format of the advertising space: 1470 x 280 mm



Alarmzone in cm			
Tag Type	E	B	M
Label Type MUS-DR	40	140	80
Hardtag Super Tag	40	140	80
Micro Shell, Micro Pencil, Lanyard Tag	40	140	80
Shell, Mid Pencil	50	160	100
Super Pencil	60	200	120

Remark:

For physically reasons a reduced detection performance can happen in the middle between transceiver antennas.

We recommend the use of powerful WG Tags built to work perfect with this system. Underperforming labels will reach lower detection levels. And lower detection height.

To avoid alarms by labels in the close proximity of the antennas, a safety zone with no tags (about 40-45% of the exit width) should be kept on all sides.

AM EAS systems are radio transmission systems on the approved working frequency of 58 KHz. Devices being unsuppressed or not corresponding to recent standards (EN 300330 / EN 301489 -3) can cause interference and negatively affect system performance. Changes in the environment and surrounding may require a retuning of any EAS System.

Product Codes:

Components

WG WFAG

WG WFAG EX

WG SPS

BTL Ad Guard Master Antenna

BTL Ad Guard Extender Antenna

Smart Power Supply

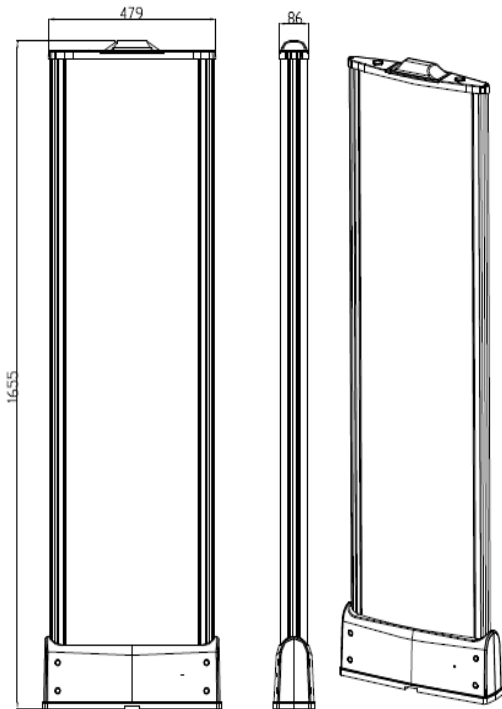
Configured Sets:

K BTL AGx1+EX

(Antenna, Power supply and cable)

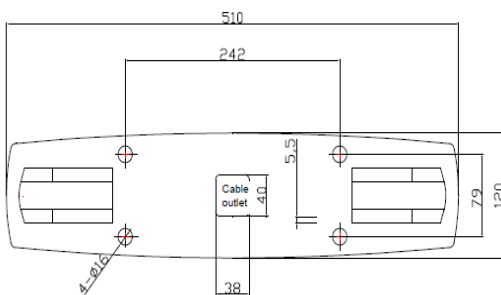
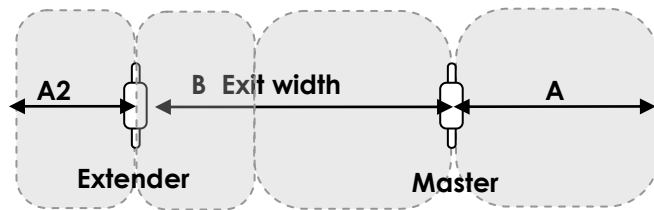
Ad Guard 2 Antenna System (1 Master + 1 Extender + 2 x SPS)

BTL Ad Guard XL & Extender - Specifications:



Specifications:

Working frequency range: 58 kHz
 Power supply: 230 V / AC - 24 V / AC
 Power consumption: 39 W
 Ambient temperature: 0 ° - 30 ° C
 Weight: Master 27 kg , Extender 25 kg
 Antenna dimensions: 1655x429x76 mm
 Dimensions of base: 356x120 mm
 Format of the advertising space: 1470 x 425 mm



Alarmzone in cm			
Tag Type	E	B	M
Label Type MUS-DR	45	160	90
Hardtag Super Tag	45	160	90
Micro Shell, Micro Pencil, Lanyard Tag	45	160	90
Shell, Mid Pencil	55	200	110
Super Pencil	65	240	150

Remark:

For physically reasons a reduced detection performance can happen in the middle between transceiver antennas.

We recommend the use of powerful WG Tags built to work perfect with this system. Underperforming labels will reach lower detection levels. And lower detection height.

To avoid alarms by labels in the close proximity of the antennas, a safety zone with no tags (about 40-45% of the exit width) should be kept on all sides.

AM EAS systems are radio transmission systems on the approved working frequency of 58 KHz. Devices being unsuppressed or not corresponding to recent standards (EN 300330 / EN 301489 -3) can cause interference and negatively affect system performance. Changes in the environment and surrounding may require a retuning of any EAS System.

**Product Codes:
Components**

WG WFAGX
 WG WFAGX EX
 WG SPS

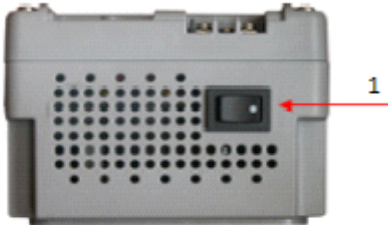
BTL Ad Guard XL Master Antenna
 BTL Ad Guard XL Extender Antenna
 Smart Power Supply

**Configured Sets:
K BTL AGXx1+EX**

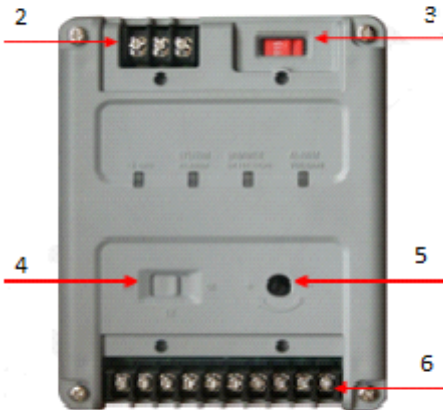
(Antenna, Power supply and cable)
 Ad Guard XL 2 Antenna System (1 Master + 1 Extender + 2x SPS)

Smart Power Supply (SPS) - Specifications.

SPS Front View



SPS Top View



SPS Rear View



The universal power supply for the new WG Retail security systems:

Each system master or extender antenna requires a SPS. We recommend to have the SPS accessible for the store staff to disable and reboot (1) the system in case of a malfunction.

The 230 V (16 A slow blow fuse) connection is made via terminal box (2) by a regular min. 3x2.5 mm² cable. Dedicated circuit (separate fuse), and common phase (L1) with all acoustomagnetic accessories is recommended. Power consumption max 50 W per system, per deactivator 10/120 W (continuous or pulse).

If a system gives spontaneous alarms the TX switch (4) helps to verify if maybe is a system tuning or synchronization issue or a user error (tags too close) is the reason.

The alarm volume (5) can be varied. Dry contacts for connection to external alarm consoles or CCTV-Systems systems are applied to the output terminal block (6).

Plastic conduits with pull wire (PG 30 recommended.) between SPS and antenna shall be prepared as specified in the respective project outline and drawings.

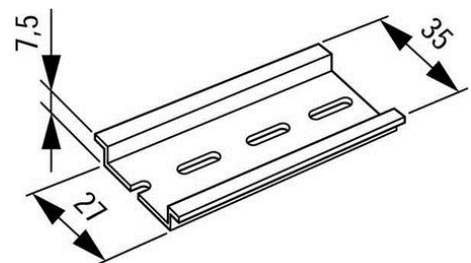
Dimensions:

SPS-Power supply: 110 x 138 x 80 mm 1,8 kg

Product Codes:

WG SPS

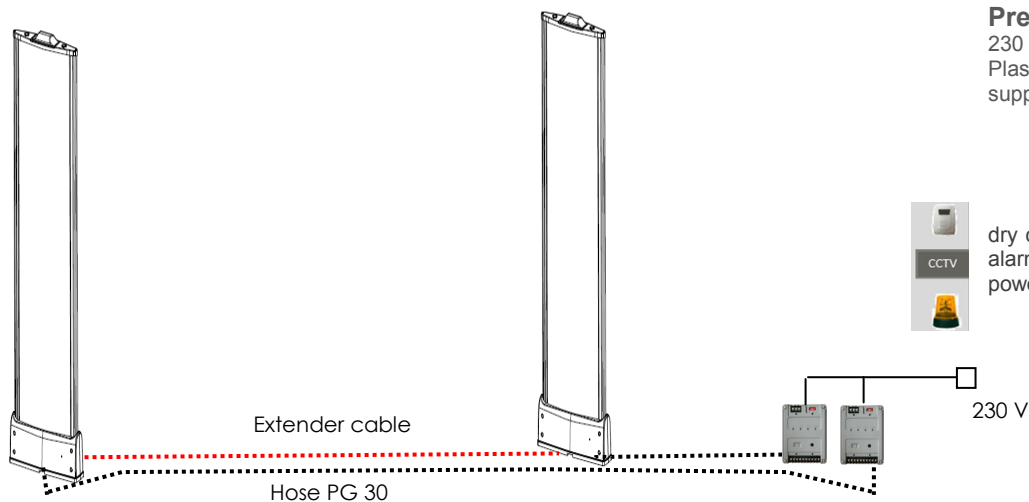
Smart Power Supply



SPS can be clicked on a standard DIN 46277-3 rail holder system.

We recommend to install SPS in a dedicated box, locked but easy accessible in service needs.

Installation description
for WG Ad Guard or Ad Guard XL with Extender:



Preparations:

230 V, on common phase with all Plastic PG30 hose between power supply and system controller.

dry contacts for connection to external alarms and CCTV systems at the SPS power supply

The antennas are mounted by means of drilled and cemented into the ground stud. Underfloor heating or water pipes in areas of installation are important to announce. For floor heating optional special steel floor adhesive plates can be supplied, on which the antennas can be screwed, without having to perform drilling.

The alarm is audible and visual directly on the antenna or at an optional remote alarm unit.

Each antenna is fed by 24 V voltage through a system cable from the SPS-Smart-Power-Supply. Cables are usually run through PG-30 plastic protection pipes in the ground or cable tunnels. Since the antennas are operated with 24 V low voltage only, the cables may even be placed directly into a grid in the floor and covered by silicone.

Connection to the WG EAS-remote tuning service is easily made by Wi-Fi. The system controller is ready prepared.

The Smart Power Supply (SPS) is not only a power supply, it offers some very useful troubleshooting functions and therefore should be accessible for staff i.e. in the counter, the manager's room or possibly incorporated in an IT- or CCTV-19" Rack. It is connected via the enclosed 8 m long six-pin cable or for distances up to 60 m a through a cable with larger diameter (i.e. WG EAS System cable Type 2 with i.e. 7x1,5mm).

SPS has connection joints for dry contacts to trigger a CCTV-system in case of EAS-alarm or jammer-alarm. Also the alarm volume can be adjusted remotely from the SPS. The exclusive TX-switch is a great support for the store people if they search for labels in the security zone. SPS can be clicked on a standard DIN-rail (Din 46277-3) holder system.

Preparations:

230V (min. 3x2.5 mm²) on dedicated circuit, at the same phase (L1 recommended) with the accessories. Fuse minimum 16 A. Current consumption max. 50 W per system, and 10/120 W (continuous / peak-pulse) per deactivator . Power sockets shall be un-twistable to avoid phasing issues.

PG 30 Plastic conduits (recommended. 30 or 32mm)with inserted pull wire, btw. antenna and power supply as indicated in the project outline.

Only for systems using extender antennas, an additional PG30 pipe between master and extender is needed.

Why acoustomagnetic technology?



AM EAS-systems are proven to have the highest detection rate in the industry. Even on products where RF and RFID technology fail because of given physical conditions, AM still performs best.

If labels are posted on aluminum foil or cans or when packaging is made of glossy cartons containing a thin layer of metal to achieve the great optical effect, the RF signal is shielded. Even in metal shopping carts or conductive materials such as Spirits and perfumes, AM detects better than all other EAS-technologies. It is reliable.

Possibly the most important fact for users and customers is that WG systems operate false-alarm free - because our special system algorithm eliminates false alarms from objects carried through the system. When a customer is in the gate and the system alarms, you can bet: Maybe you forgot to remove the tag or the customer "forgot" to pay. Anyway you will find a tag.

Our new Wi-Fi and BTL systems have reduced power consumption, offer jammer detection, wider exit widths, help users to identify alarms from tags being too close to the system and are compatible with RFID systems.

Smallest tags, reliable deactivation, and thanks to 4-alarm "Extreme Security" the maximum security level against professional shoplifters.

All this provides for the sustainable reduction of your shrinkage and an ongoing staff motivation.

All this counts.

About WG Global:



Each market segment, and each region has its specific problem areas and therefore require specific products.

We are constantly learning from practice and apply this know-how incorporated directly in the development of new solutions. This is part of our corporate philosophy and works best in an owner-managed company with direct access to resources - such as WG.

Creating first class solutions and functionality at an attractive price is our goal. Customer service includes product availability. In in our two warehouse buildings in Surheim we have sufficient storage capacity for 1200 pallets.

Many renowned retailers in Germany and Austria are already working with WG-Global's direct operations. To accompany their expansion WG has internationally experienced project managers.

WG Products are also available through our Sales and Service partners in over 60 countries creating our Global Service Partner Network.

WG as a medium-sized owner-managed company usually responds far more flexibly to our customers' requirements than others can. Our style is rather hands on than playing Power point.

Check it out and call WG or our local partner.



Disclaimer

Particular care has been taken in the preparation of this catalogue. However, WG Global GmbH assumes no responsibility for errors or omissions. Nor is any liability assumed for damages resulting from the use of information contained herein. Furthermore, WG Global GmbH reserves the right to change any descriptions and specifications without notice.

Copyright Notice

All content on this catalog, including but not limited to design, text, software, technical drawings, configurations, graphics, and other files are the property of WG Security Products Inc. or WG Global GmbH. All rights reserved. The Content may not be modified, copied or distributed, without WG's prior written approval.

Approvals provided may be terminated at any time.

Impressum:

Publisher: WG Global GmbH, Sägewerkstraße 3, 83416 Surheim, Germany
Editing & Content: Anton Kaltenleitner
Photos & Graphics: WG Global GmbH
Layout: WG Global GmbH

All rights reserved, all indications without engagement, subject to modifications. Misprints, typing- and printing errors reserved.

Headquarter: Surheim Sägewerkstraße 3, D-83416 Surheim

Bank details:	Germany:	Sparkasse Berchtesgadener Land	BLZ: 710500 00	Acc Nr. 389 304
		Commerzbank AG,	BLZ: 70080000	Acc Nr. 0230 500 800
	Austria :	Raiffeisenbank Mondsee/land	BLZ: 34322	Acc Nr. 311 266